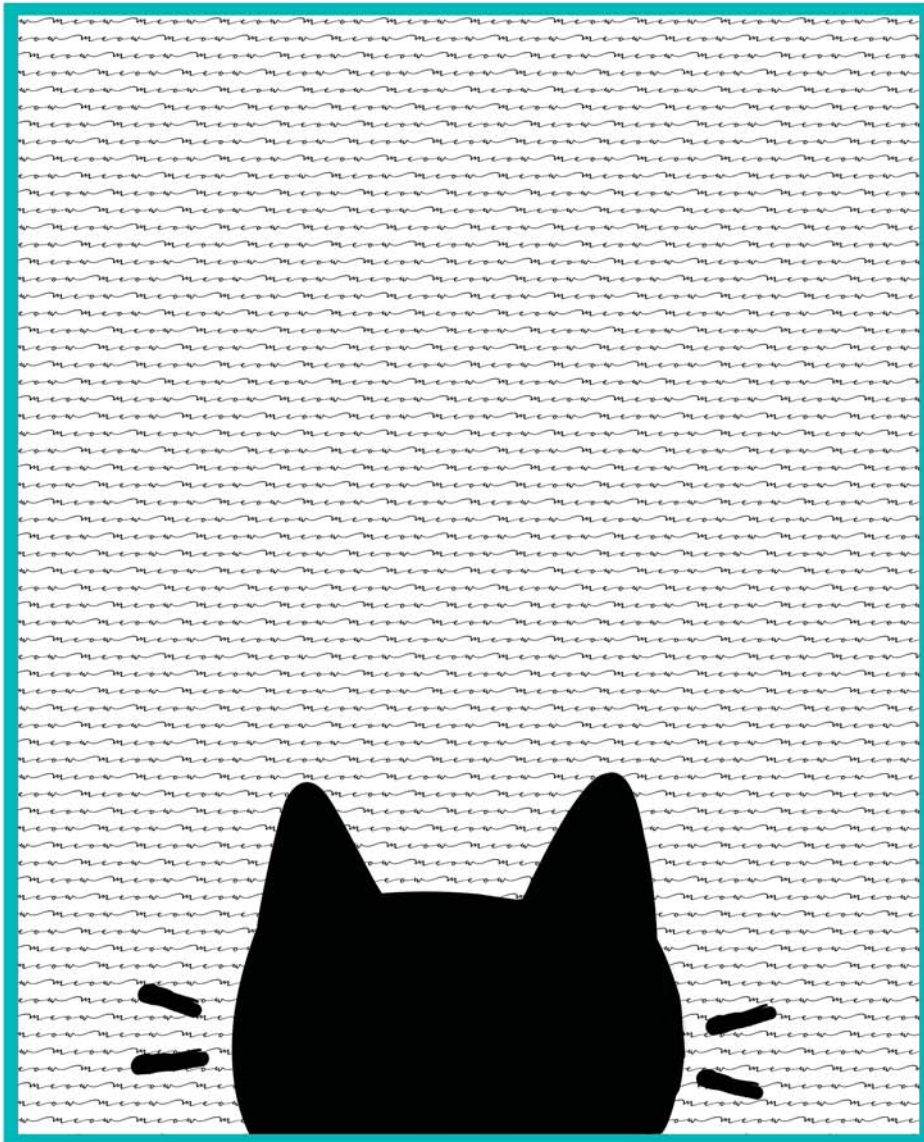


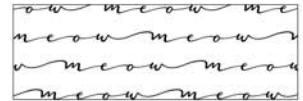


meow

# Cat Silhouette Quilt (Q-033)



## Fabric requirements



Fabric A: 21170103 #1  
1-1/4 yard



Fabric B: 214-0002 Black  
Fat Quarter



Fabric G (Binding):  
214-0034 Bali  
1/3 yard



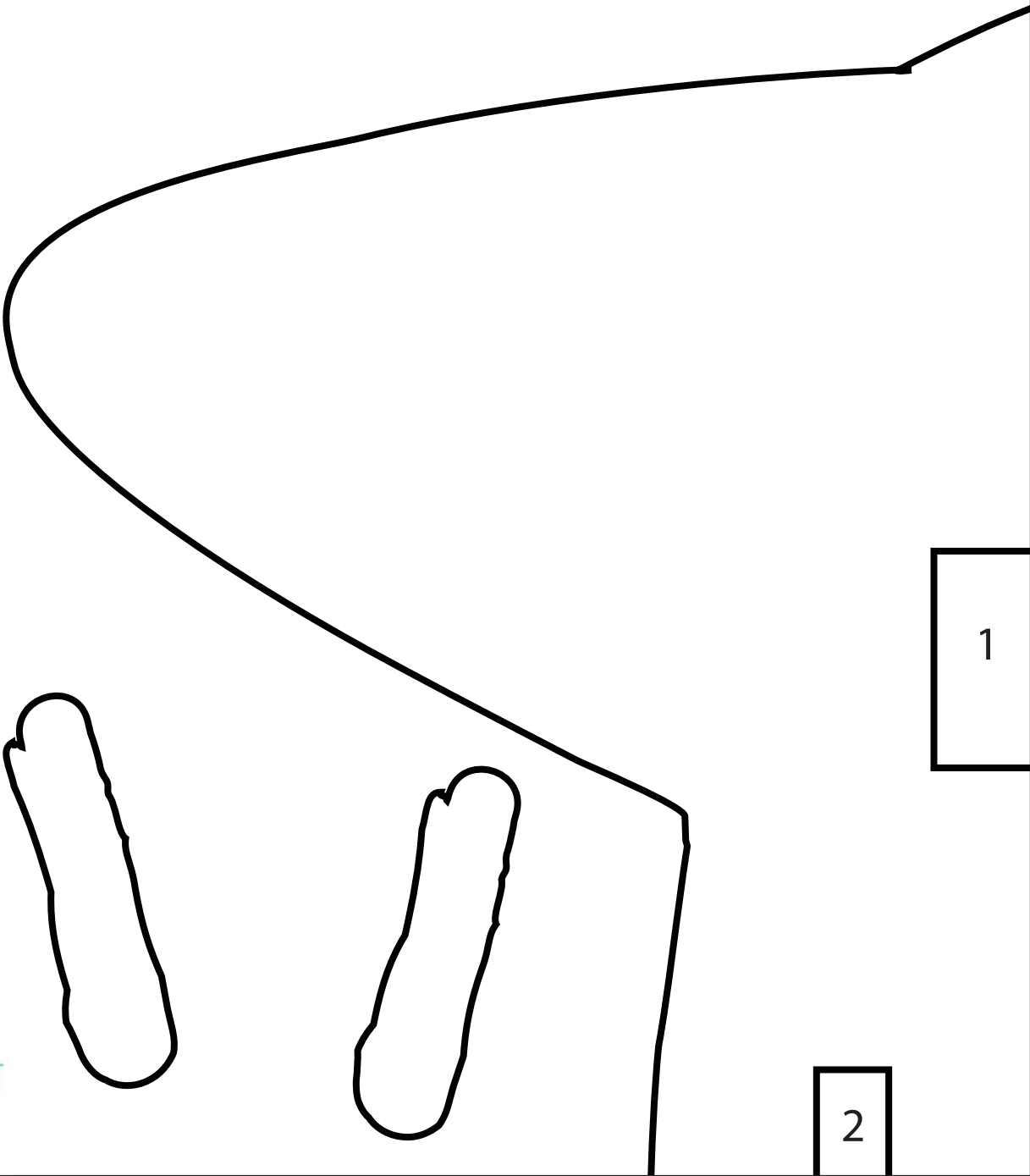
Suggested Backing  
21170107 #1  
1-1/3 yards

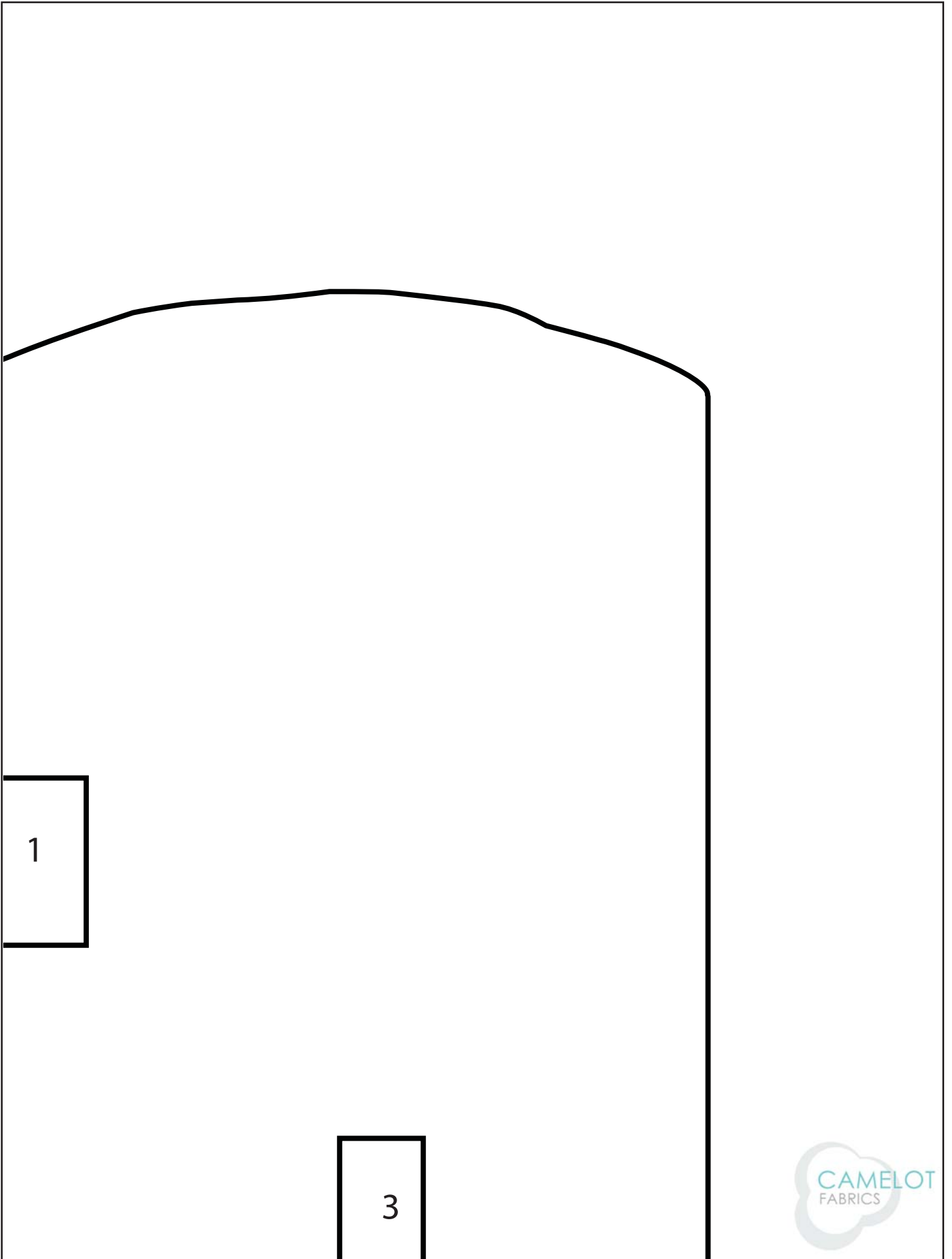
Finished Size: 30" x 40"

Exclusive Quilt Design by Camelot Design Studio from Camelot Fabrics.  
Fabric collection: Meow by Camelot Design Studio from Camelot Fabrics.

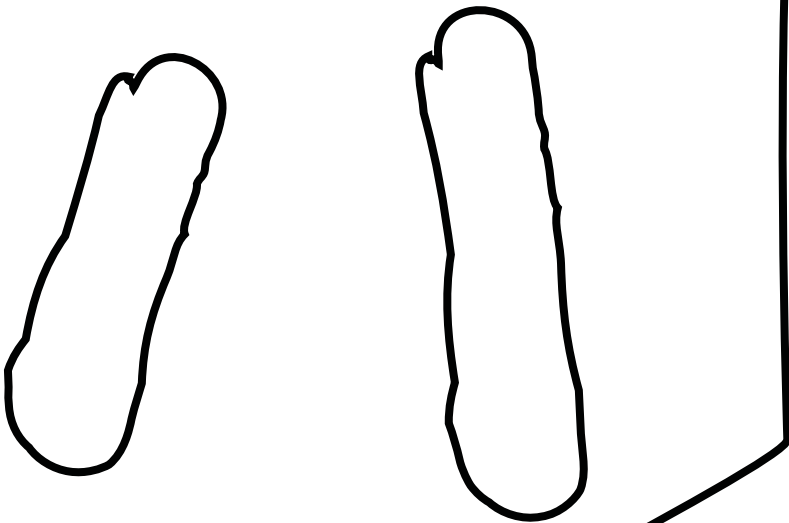


Blog, Facebook, Twitter @CamelotFabrics  
Pinterest, YouTube & Instagram @Camelot\_Fabrics  
camelotfabrics.com • camelotfabricsblog.com  
Toll-Free: 1-800-361-4120 • 514-382-2400  
info@camelotfabrics.com • www.camelotfabrics.com

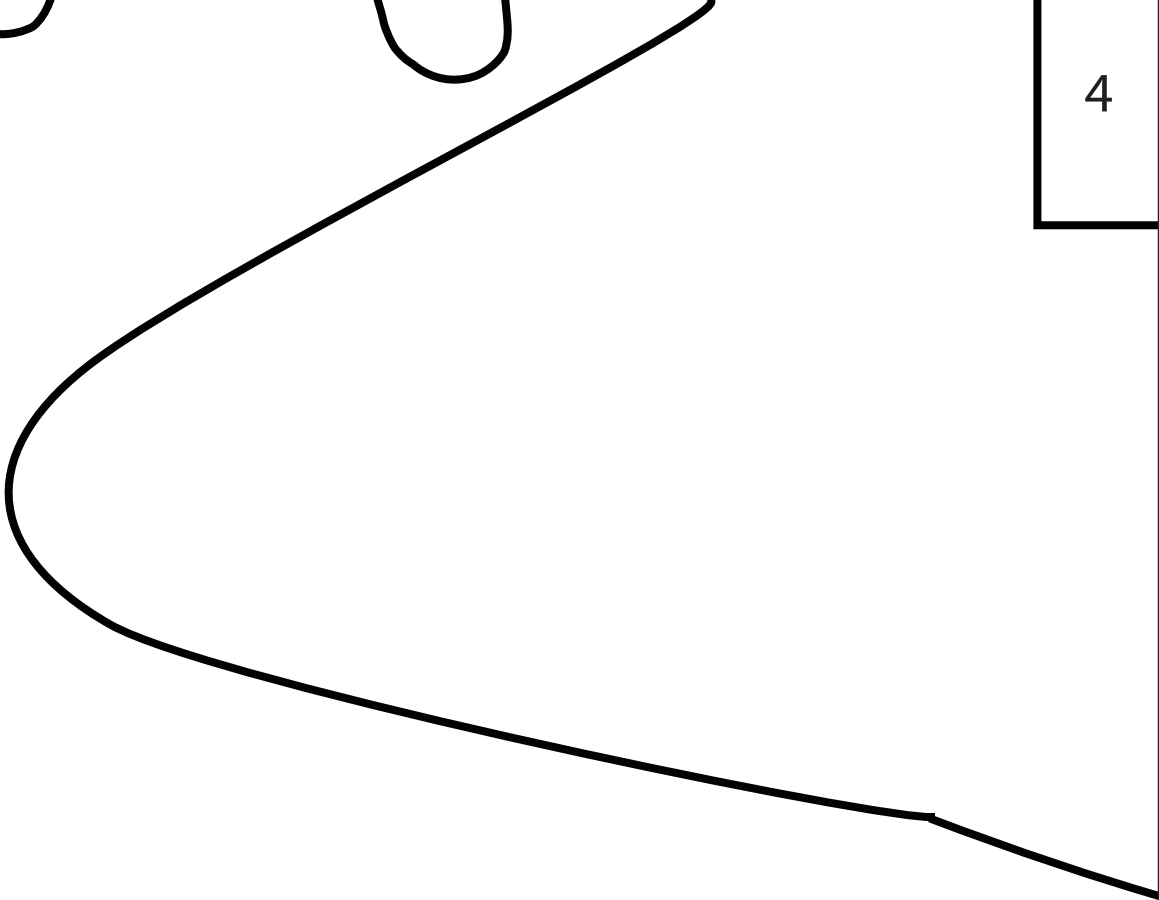




2



4



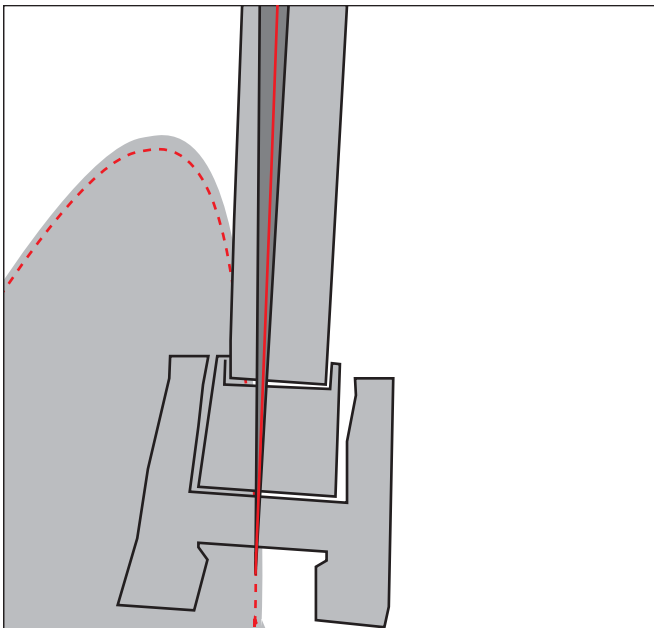
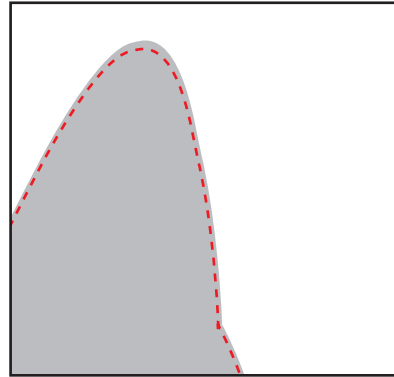
3

4



Method 1 is the simpler of the two and is ideal for the beginner sewer. Method 2 is for the more confident sewer. For either method, you'll want to use a thread that is the same color or close to the color of the Appliqué fabric (Fabric B).

METHOD 1: STRAIGHT STITCH APPLIQUÉ  
(Note that with this method, the edges will fray after washing, giving your quilt a nice 'raggy' look).



-Set your stitch length a little shorter than you would when piecing your quilt. You'll want to sew just *inside* the edge of the Appliqué piece (about 1/8").

-It is easiest to begin in an area of the shape where there is a straight line or a gentle curve.

-Begin by taking one forward stitch and then a backstitch to lock it in. Continue sewing all the way around the shape until you get back to the first stitch. Backstitch again to lock in your stitch.

TIP: Since your machine sews in a straight line, it will be necessary to stop and pivot the piece frequently in order to follow the shape of the curve. You'll want to make sure that you stop with the needle DOWN, LIFT the presser foot, PIVOT, lower the presser foot and continue.

## OTHER TOOLS & SUPPLIES

- Sewing machine
- Needle & coordinating thread (for the appliqué, we recommend a Topstitch 80/12 Needle).
- Iron and pressing surface
- Rotary cutter and mat
- Straight pins
- Ruler
- Scissors
- Fusible Web for Machine Appliqué - 13" x 16" piece . A *Lightweight* fusible is recommended to avoid having a stiff appliqué. Wash-away appliqué stabilizer is also a good option. Always read manufacturer's instructions to be sure that you are using the correct fusible for the job.
- Pencil
- Tape
- 'Open Toe' Appliqué Foot or Zig-Zag foot for your sewing machine

## NOTES

1. Please wash, dry & iron your fabrics before beginning, and trim selvages.
2. For best results, read all directions before beginning.  
WOF = Width of Fabric

## PREPARING TEMPLATES

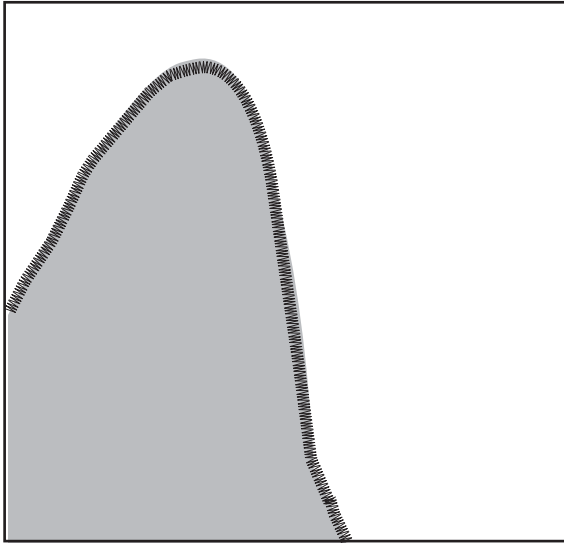
Cut out the paper template pieces (pp 6-9) for the Cat Appliqué Pieces. Tape the pages together, making sure to match up the numbered squares. Cut out the head shape & the template pieces for the whiskers.

## CUTTING & SEWING

Trim Fabric A to 31" x 41" .

1. Following the manufacturer's instructions, apply the fusible web to the *wrong* side of Fabric B. Place the Appliqué Shapes on the wrong side of the fabric and trace.  
NOTE: the appliqué piece should be face down on the fabric. Cut out the shapes and remove the paper backing.  
NOTE: If the fusible web that you are using does not have a paper backing, proceed according to manufacturer's instructions.
2. Position the appliqué pieces on the quilt top. Refer to the diagram on the cover page for placement.
3. Fuse the appliqué pieces to the quilt top.
4. Use one of the two following methods to stitch down the appliqués. There are many other techniques that exist, but we are presenting two of the most common ones. Feel free to use any that is most familiar to you.





METHOD 2: ZIG ZAG SATIN STITCH APPLIQUÉ  
 (With this method, the edges of the appliqué are secured by the stitches and will not fray after washing).

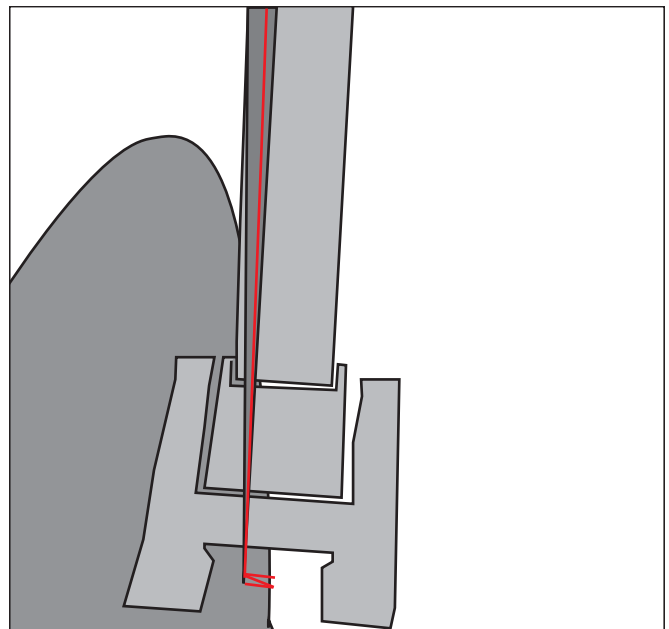
-Begin by locking in your stitches. You can do this before setting your machine to a Zig Zag stitch. Take one short straight stitch forward and then a backstitch to lock it in.

-Set your machine to the desired Zig Zag Stitch length and begin sewing.

-As the needle swings to the right, it should fall just outside the outline of the appliqué shape and onto the background fabric. As it swings to the left, the majority of the stitch will fall on the appliqué shape.

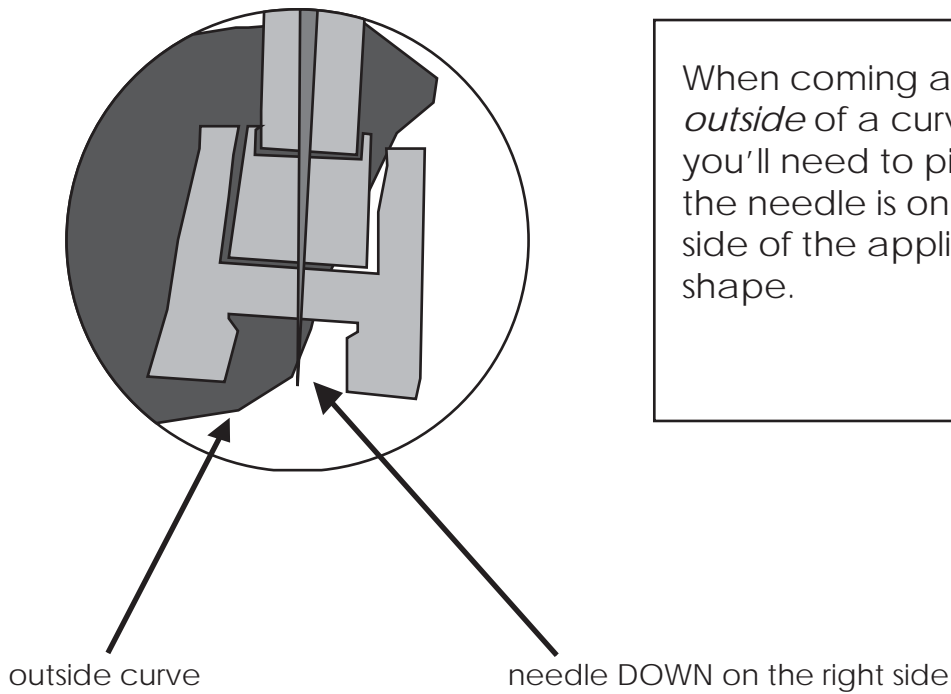
-Continue sewing all the way around the shape until you get back to the first stitch.

-Set your machine back to a straight stitch, and backstitch again to lock in your stitch.



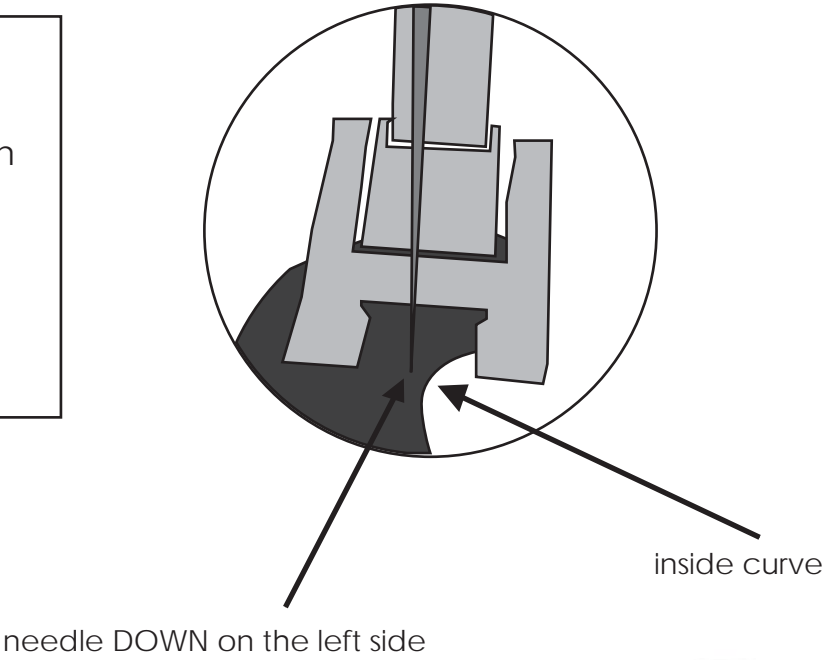


TIP: Since your machine sews in a straight line, it will be necessary to stop and pivot the piece frequently in order to follow the shape of the curve. You'll want to make sure that you stop with the needle DOWN, LIFT the presser foot, PIVOT, lower the presser foot and continue.



When coming around the *outside* of a curve, you'll need to pivot when the needle is on the right side of the appliqué shape.

When coming to the *inside* of a curve, you'll need to pivot when the needle on the left side of the appliqué shape.



5. Now that your quilt top is complete, layer the top, batting and backing to create your quilt sandwich. Quilt as desired. Since the appliqué piece is large, you'll want to quilt over it as you don't want a large area of your quilt to be left unquilted.

6. Sew the Fabric C binding strips together, end to end. Bind the quilt using your favorite method. And you're done!

